

CUBICA

TOUCH-FREE ELECTRONIC WALL-MOUNTED FAUCET

SPECIFICATIONS

Touch-free wall-mounted electronic faucet. Activated by an infrared sensor. For cold or premixed water. Powered by 9V battery or a 9V transformer. Battery version includes a low battery level indicator. Chrome plated body, other finishes available. The faucet will automatically shut off after being used for more than 90 seconds. Adjustable setting by remote control: sensor range, security time, delay in, delay out, on-off and reset to factory settings.

OPERATION

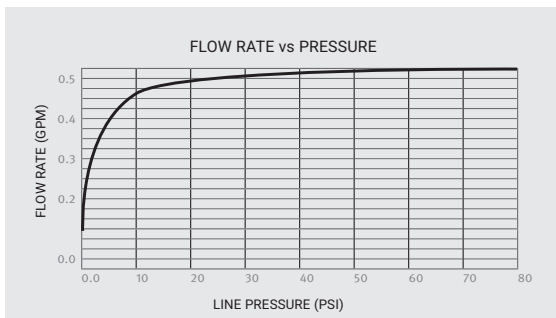
Touch-free electronic faucet operated by an infrared sensor. The faucet automatically activates when users place their hands within sensor range and stops when they remove them from the sensor range.

APPLICATION

Wall-mounted faucet combining an elegant rectangular design with anti-vandal features. Long lasting even in the harshest installation sites. Helps washrooms cleanliness, saves water and aids in cross contamination prevention. Ideal for shopping malls, sport facilities and commercial and entertainment centers.

PRODUCT AT A GLANCE

Installation	Concealed wall mounted installation
Power Supply	• 9V battery • 9V transformer
Operating pressure	0.5-8.0 bar / 7.0-116.0 psi
Water supply	Cold or premixed water
Water flow	5 lpm / 1.32gpm Cache
Water Saving Options	1.89 lpm / 0.5 gpm Cache Spary
Water temperature	70°C Maximum
Security Time	Auto shutoff after 90 seconds. Adjustable by remote control



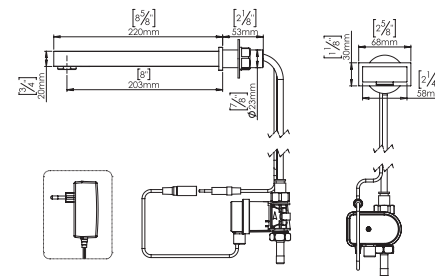
This graph applies to 0.5 GPM option only.

OPTIONS

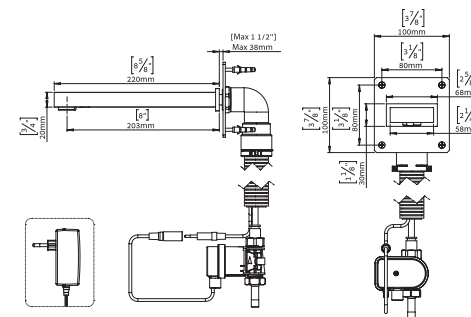
OPTION	CODE
Remote control	07100005
Matching battery-powered soap dispenser	360620
Matching transformer-powered soap dispenser	360630

ORDERING INFORMATION

MODEL	CODE	POWER	
CUBICA B	360100	9V battery	Concealed installation in plaster or dry wall
CUBICA E	360200	9V transformer	
CUBICA DP B	360110	9V battery	Concealed installation in dry wall as well as concrete or brick wall
CUBICADP E	360210	9V transformer	



CUBICA B / E



CUBICA DP B / E

stern

ADVANTAGES



LEED RATING



OPTIONAL HYGIENE FLUSH



SOAP AND WATER



GERM FREE



ADJUSTABLE SETTINGS



EASY TO INSTALL



ADA DESIGNED

777 Passaic Avenue
Clifton NJ, 07012
USA: sternusa@sternfaucets.com
International: info@sternfaucets.com
Toll Free: 1-800-4364410
www.sternfaucets.com