

TUBULAR DP

TOUCH-FREE ELECTRONIC WALL-MOUNTED FAUCET

SPECIFICATIONS

Touch-free electronic faucet for wall-mounted installations in hollow and concrete walls. Activated by an infrared sensor. For cold or premixed water. Filters included. Powered by Stern's external IP67 dual power input box with a 9V battery. The faucet can also be powered by a 9V transformer and an integrated backup system with a 9V lithium battery which enables normal use in case of power failure. Includes a low battery indicator. Chrome plated body, other finishes available. Longer body available. Adjustable settings by remote control: sensor range, security time, delay in, delay out, on-off and reset to factory settings. 24 hour mandatory hygiene available upon request.

OPERATION

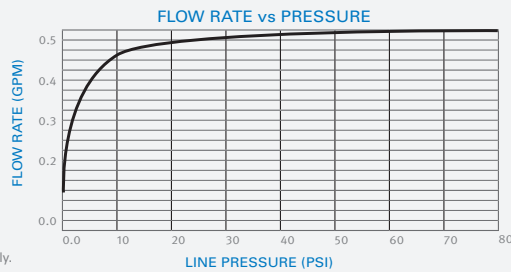
The faucet will automatically activate when users place their hands in the sensor range and will stop once the users remove their hands.

APPLICATION

Ideal for easy installation in under basin furniture. Long lasting even in the harshest installation sites. Helps washrooms stay clean and saves water. Ideal for shopping malls, sport facilities and entertainment centers.

PRODUCT AT A GLANCE

Installation	Concealed wall-mounted
Power Supply	9V transformer or 9V battery
Operating pressure	0.5-8.0 BAR / 7.0-116.0 PSI
Water supply	Cold or premixed water
Water flow	6 LPM / 1.58 GPM - SSR PCA stream
Water Saving Options	4 LPM / 1 GPM ; 3 LPM / 0.8 GPM 1.89 LPM / 0.5 GPM ; 1.3 LPM 0.35 GPM - PCA spray
Water temperature	70°C Maximum
Security Time	90 seconds. Adjustable by remote control



ORDERING INFORMATION

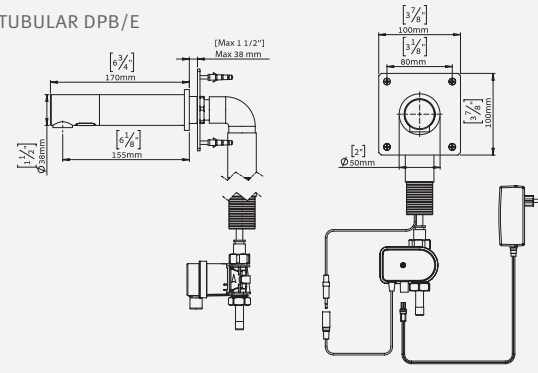
MODEL	CODE	POWER	ADDITIONAL FEATURES
TUBULAR DPB	350209	9V Battery	For plaster and dry wall; and brick wall and concrete installations
TUBULAR DPE	350103	9V Transformer	
TUBULAR DP LB	350214	9V Battery	For plaster and dry wall; and brick wall and concrete installations. Long body 220mm
TUBULAR DP LE	350123	9V Transformer	

OPTIONS

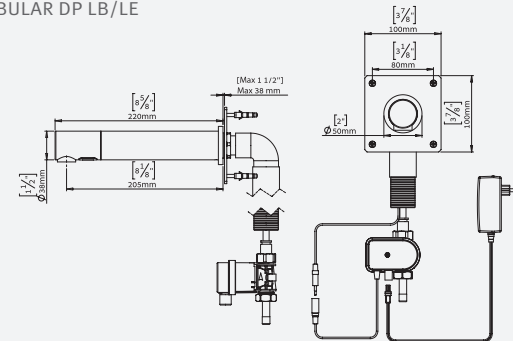
OPTION	CODE
Remote control	07100005
Matching Tubular soap dispenser	Upon request



TUBULAR DPB/E



TUBULAR DP LB/LE



ADVANTAGES



LEED RATING



OPTIONAL HYGIENE FLUSH



SOAP AND WATER



GERM FREE



ADJUSTABLE SETTINGS



EASY TO INSTALL



ADA DESIGNED

APPROVALS



777 Passaic Avenue
Clifton NJ, 07012
USA: sternusa@sternfaucets.com
International: info@sternfaucets.com
Toll Free: 1-800-4364410
www.sternfaucets.com