

ELITE 1000 L TOUCH-FREE ELECTRONIC LAVATORY FAUCET

SPECIFICATIONS

Touch-free electronic faucet for deck-mounted installations. Activated by Infrared sensor. Long spout - 137mm \ 5.39". Chrome plated body, other finishes available. Includes a low battery indicator. The Elite line has an Infrared sensor and a solenoid valve inside the body of the product for added vandal resistance. Adjustable settings by remote control: Sensor range, Security time, Delay In, Delay Out and On-Off. 24 hour mandatory hygiene flush can be provided upon request.

OPERATION

Touch-free electronic faucet operated by an infrared sensor. The faucet automatically activates when users place their hands within sensor range and stops when they remove them from the sensor range.

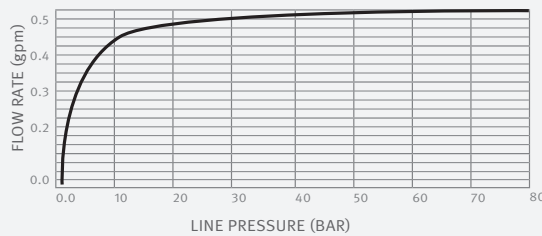
APPLICATION

Deck-mounted faucet combining an elegant design with anti-vandal features. Helps washrooms cleanliness, saves water and prevents cross contamination. Ideal for shopping malls, hotels, sport facilities, entertainment centers.

PRODUCT AT A GLANCE

Installation	Lavatory mounted
Power Supply	<ul style="list-style-type: none"> 9V external battery box IP67 Battery Box for 6 AA 1.5V alkaline batteries 9V Transformer IP 68 Encapsulated 9V transformer
Operating pressure	0.5-8.0 bar / 7.0-116.0 PSI
Water supply	Hot and cold water
Water flow	6 LPM / 1.58 GPM - SSR PCA stream
Water Saving Options	1.3 LPM/0.35 GPM, 1.89 LPM/0.5 GPM, 3 LPM/0.8GPM, 4 LPM/1 GPM - PCA spray
Water temperature	70°C Maximum
Security Time	90 seconds. Adjustable by remote control

FLOW RATE vs PRESSURE

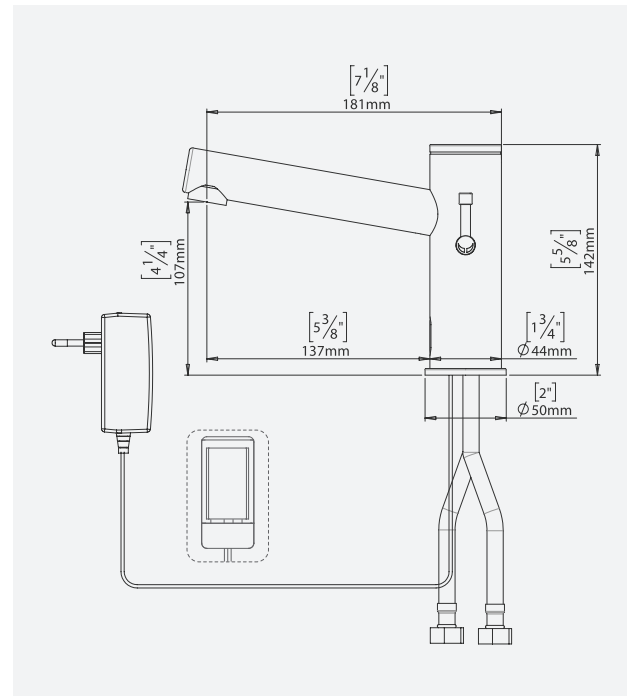


OPTIONS

OPTION	CODE
Remote control	07100005
Matching battery-powered soap dispenser	236110
Matching transformer-powered soap dispenser combination	236100

ORDERING INFORMATION

MODEL	CODE	POWER	ADDITIONAL SPECIFICATIONS
ELITE 1000 LB	236550	9V battery	Long spout length 137mm \ 5.39"
ELITE 1000 LE	236650	9V transformer	With mixer for water temperature adjustment



ADVANTAGES



OPTIONAL HYGIENE FLUSH



ROBUST BRASS BODY



ADJUSTABLE SETTINGS



EASY TO INSTALL

APPROVALS



ADA DESIGNED



COMPLIES TO ASME A112.18.1 / CSA B125.1

777 Passaic Avenue
Clifton NJ, 07012
USA: sternusa@sternfaucets.com
International: info@sternfaucets.com
Toll Free: 1-800-4364410

www.sternfaucets.com