

# TRENDY

## TOUCH-FREE ELECTRONIC LAVATORY FAUCET

### SPECIFICATIONS

Touch-free electronic faucet for deck-mounted installations. Cold or premixed water. Activated by Infrared sensor. Chrome plated body, other finishes available. Includes a low battery indicator. The Trendy line has an Infrared sensor and a solenoid valve inside the product's body for added vandal resistance. 24 hour mandatory hygiene flush can be provided upon request. Adjustable setting by remote control: sensor range, security time, delay in, delay out, on-off and reset to factory settings.

### OPERATION

Touch-free electronic faucet. The faucet is automatically activated when the users place their hands in the sensor range and stops when the users remove their hands.

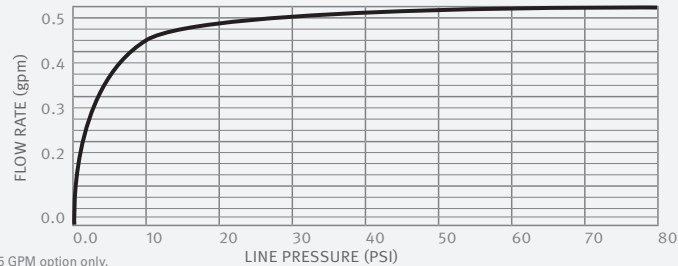
### APPLICATION

Deck-mounted faucet combining an elegant design with anti-vandal features. Helps washrooms cleanliness, saves water and prevents cross contamination. Ideal for shopping malls, hotels, sport facilities, entertainment centers.

### PRODUCT AT A GLANCE

Installation	Deck-mounted
Power Supply	• 9V battery • 9V transformer
Operating pressure	0.5-8.0 bar / 7.0-116.0 PSI
Water supply	Cold or premixed water
Water flow	6 LPM / 1.58 GPM - SSR PCA stream
Water Saving Options	4 LPM / 1 GPM ; 3 LPM / 0.8 GPM 1.89 LPM / 0.5 GPM ; 1.3 LPM 0.35 GPM - PCA spray
Water temperature	70°C Maximum
Security time	Auto shutoff after 90 seconds. adjustable by remote control

FLOW RATE vs PRESSURE



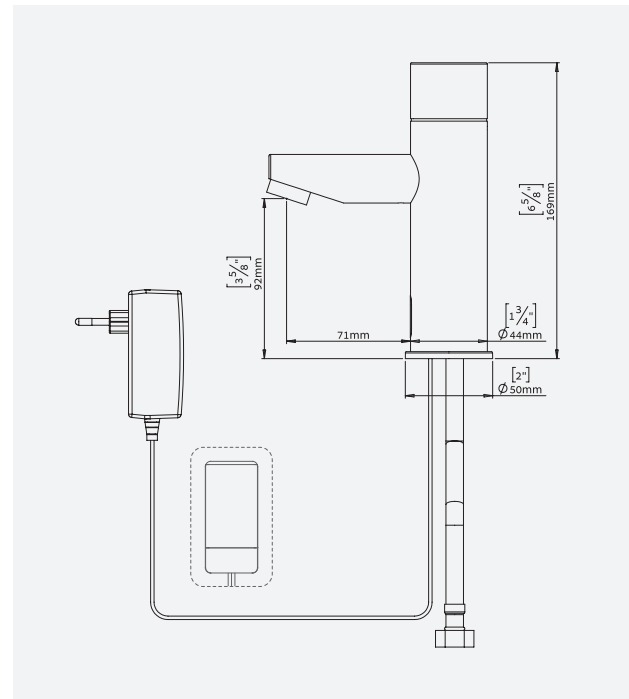
This graph applies to 0.5 GPM option only.

### ORDERING INFORMATION

MODEL	CODE	POWER
TRENDY B	239000	9V battery
TRENDY E	239100	9V transformer

### OPTIONS

OPTION	CODE
Remote control	07100005
Matching battery-powered soap dispenser	239910
Matching transformer-powered soap dispenser	239900
Lead free - battery-powered version	239001
Lead free - transformer-powered version	239101



### ADVANTAGES



LEED RATING



OPTIONAL HYGIENE FLUSH



SOAP AND WATER



GERM FREE



ADJUSTABLE SETTINGS



EASY TO INSTALL



ADA DESIGNED

### APPROVALS



COMPLIES TO ASME A112.18.1/ CSA B125.1

777 Passaic Avenue  
Clifton NJ, 07012  
USA: sternusa@sternfaucets.com  
International: info@sternfaucets.com  
Toll Free: 1-800-4364410

www.sternfaucets.com