

LOTUS TOP FILL

TOUCH FREE ELECTRONIC SOAP DISPENSER

- Automatic, Top fill, Touch Free deck mounted soap dispenser with a soap level indicator incorporated in the dispenser.
- Includes a 2 liters tank for non-proprietary soap types within the recommended viscosity range for significant cost-in-use savings.
- 100% brass body construction. Available in the following finishes: Chrome, PVD Brushed Nickel and Matt Black. Matching touch free faucet available in the matching finish.
- Dosage and sensor range are adjustable with remote control. Refill operation can be done by pushing a manual button on the pump or using the optional remote control.
- Peristaltic pump preventing back flow and clogging.



PRODUCT AT A GLANCE

Installation	Deck mounted
Power Supply	12V transformer
Soap Tank Capacity	2 Liters / 0.52 Gallons
Soap Dose	Default setting: 1.2-1.6 cc Adjustable by remote control in accordance to the selected soap
Soap Viscosity	100-3800 cPs (for liquid soap) Up TO 100 cPs (for foam soap)
Refill	Soap priming operated by remote control or by easy-to-use manual refill button

OPERATION

Touch free electronic Soap dispenser operated by infrared sensor. The Soap dispenser automatically activates when users place their hands within sensor range, providing a measured amount of soap (adjustable by remote control). If the user removes the hand before the full amount is dispensed, the Soap dispenser immediately stops the flow. The level indicator at the dispenser base shows green when tank is full, orange when level is low and red when a refill is needed.

ORDERING INFORMATION

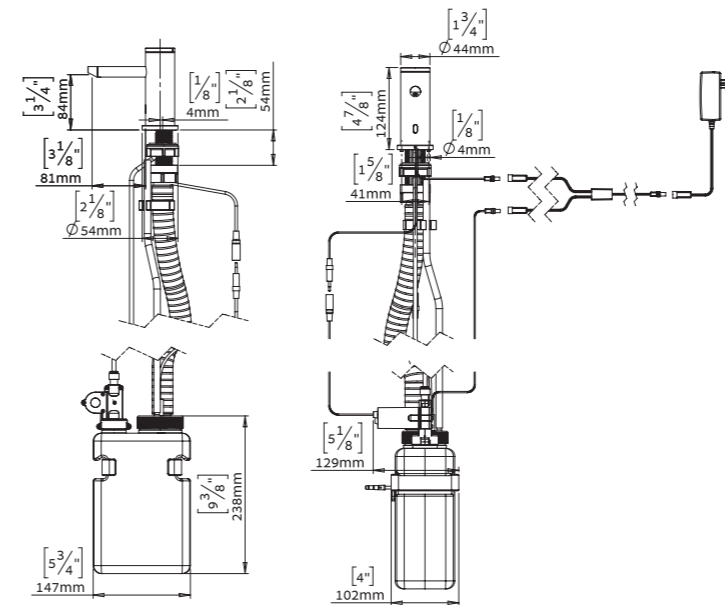
MODEL	CODE
Lotus Topfill E	230850
Lotus Topfill FE (Foam)	230860

OPTIONS

OPTION	CODE
Remote control	07100008

APPLICATION

Touch free electronic soap dispenser with dripless automatic shutoff and level indicator is the ideal solution to reduce maintenance costs in heavy usage areas with no need to open the cabinet to check soap level. Combined with the touch-free electronic faucet, it creates a germ-free automated environment. Ideal for stadiums, train and bus stations and highway rest stops.



MAXIMUM SAVINGS



GERM FREE



PRECISE AMOUNT



CHANGE SETTINGS



LOGGING FREE



EASY TO INSTALL

777 Passaic Avenue, Clifton NJ, 07012

USA: sternusa@sternfaucets.com | International: info@sternfaucets.com | Toll Free: 1-800-4364410 | www.sternfaucets.com

stern
STERN ENGINEERING LTD.