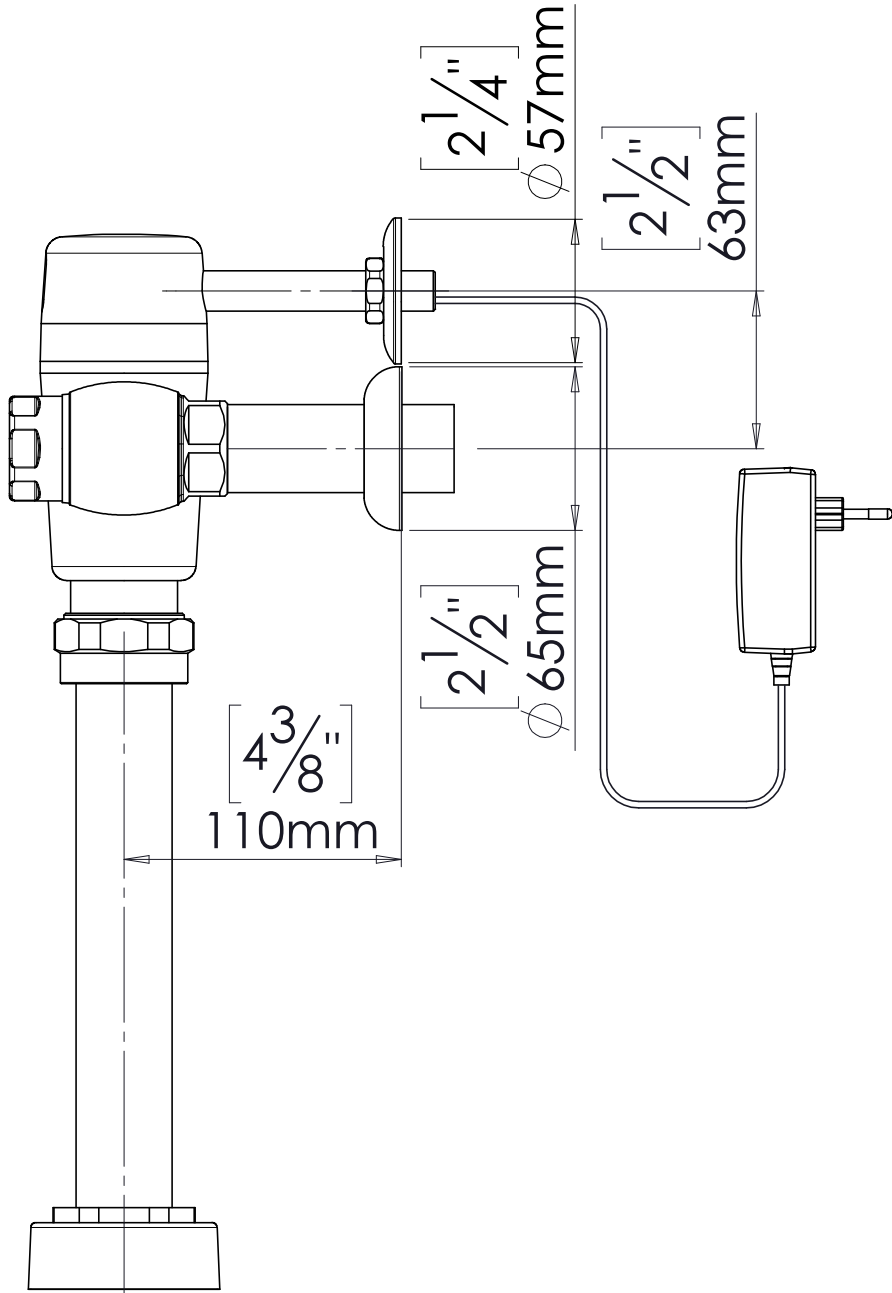


Venus E 1.28 GPF



$15\frac{3}{4}$ "
[400mm]

