

# stern

STERN ENGINEERING LTD.



**TRENDY FOAM**



**GREEN 28 FOAM**



**ELITE FOAM**

**TOUCH FREE DECK MOUNTED FOAM SOAP DISPENSERS**

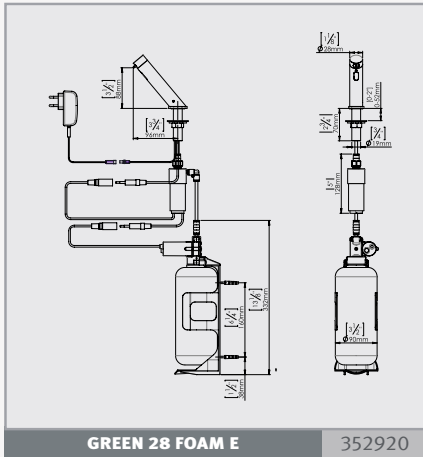
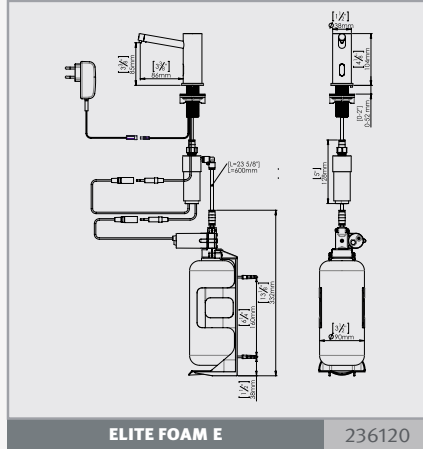
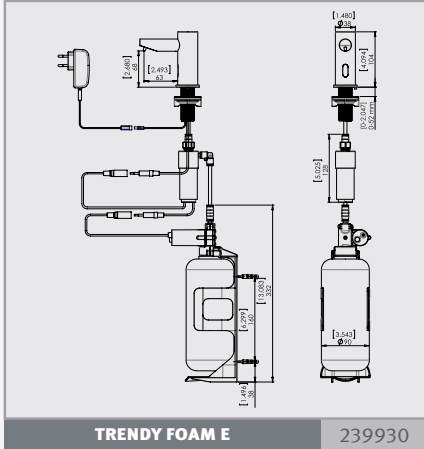
INSTALLATION AND MAINTENANCE GUIDE

# INDEX

- 1      **TECHNICAL DATA**
  
- 2      **PRE-INSTALLATION INFO**
  
- 3      **PACK CONTENTS**
  
- 4-6    **INSTALLATION**
  
- 7      **FILLING THE SOAP TANK**
  
- 8      **SETTINGS ADJUSTMENT**
  
- 9      **SPARE PARTS LIST**
  
- 10     **MAINTENANCE**
  
- 11     **WARRANTY**
  
- 12     **TROUBLESHOOTING**

The information in this document reflects products at the date of printing. Stern Engineering Ltd reserves the right, subject to all applicable laws, at any time, at its sole discretion, and without notice, to discontinue or change the features, designs, materials and other specifications of its products, and to either permanently or temporarily withdraw any of the foregoing from the market. All information in this document is provided "as is" without warranty of any kind, either expressed or implied, including but not limited to any implied warranties of merchantability, fitness for a particular purpose, or non-infringement. Stern Engineering Ltd assumes no responsibility for errors or omissions in the information presented in this document. In no event shall Stern Engineering Ltd be liable for any special, incidental, indirect or consequential damages of any kind, or any damages whatsoever arising out of or in connection with the use or performance of this information. The tradenames, trademarks, logos and service marks presented in this document, including their design, are the property of Stern Engineering Ltd or other third parties and you are not permitted to use them without the prior written consent of Stern Engineering Ltd or such third party as may own them.

# TECHNICAL DATA



<b>Capacity</b>	1 Liter / 33.8 oz.
<b>Power Supply</b>	12V transformer
<b>Soap viscosity</b>	Up to 100 CPS
<b>Standard discharge</b>	Varies according to viscosity and “foamability”
<b>Sensor range</b>	30-100 mm +/- 10 mm (Adjustable by remote control)

## PRE-INSTALLATION INFO

### Check contents

Separate all parts from the packaging and check each part with the “Pack contents” section.

Make sure all parts are accounted for before discarding any packaging material.

If any parts are missing, do not attempt to install your touch free soap dispenser until you obtain the missing parts.

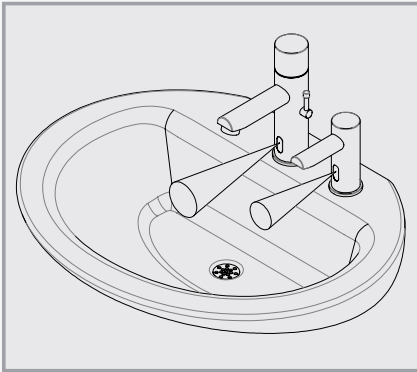
### Warnings

Do not install your electronic soap dispenser facing a mirror or any other electronic system operated by an infrared sensor.

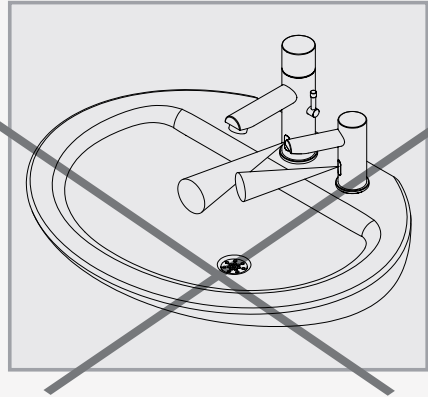
In order to prevent reflection problems, it is recommended to keep a minimum distance of 1.50 meters between the soap dispenser and any other objects.

**IMPORTANT:** Keep in mind that the location of the user’s hands, while using the faucet nearby should not interfere with the soap dispenser sensor detection area.

### CORRECT INSTALLATION

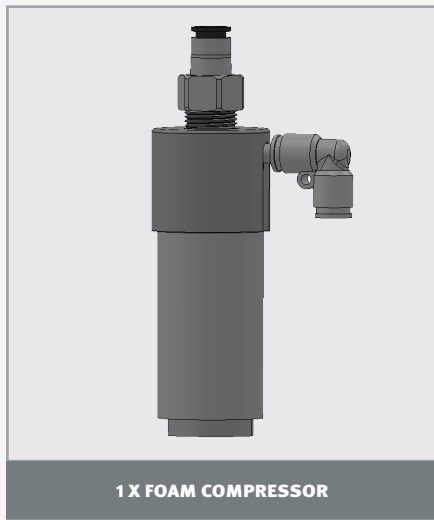
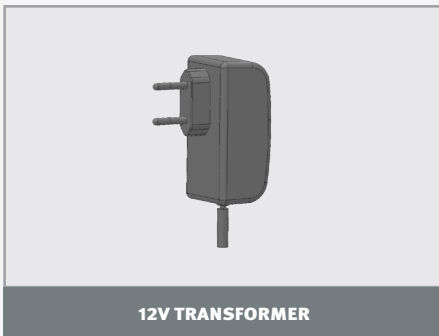
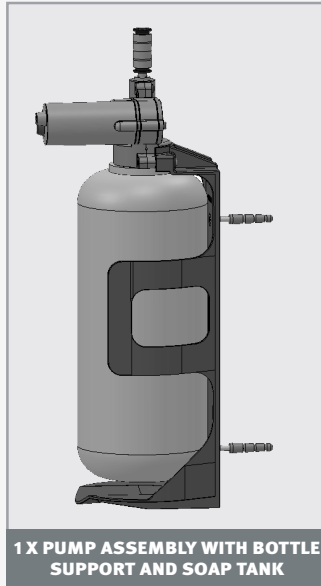
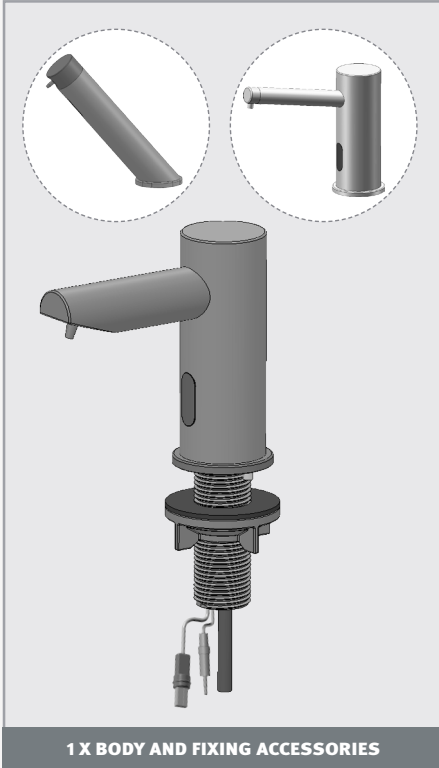


### INCORRECT INSTALLATION



# PACK CONTENTS

Familiarize yourself with the part names and confirm that the parts are included.

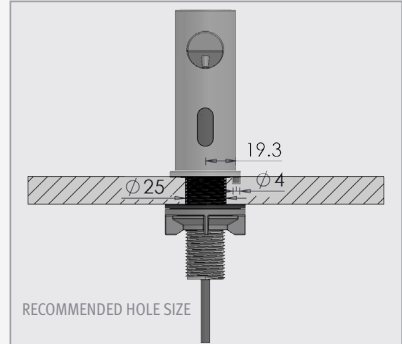


# INSTALLATION

## STEP 1 – REMOVE ALL MOUNTING HARDWARE

Drill a hole in the deck or lavatory for the soap dispenser body and a small hole for the anti rotation pin, according to the recommended hole size.

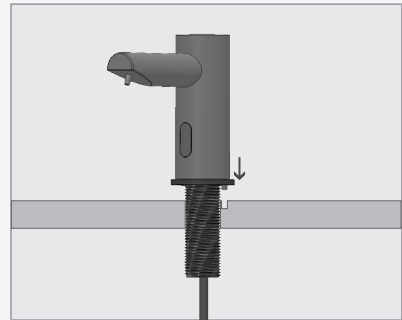
Disassemble the nut, disk and gasket from the base of the soap dispenser body.



## STEP 2 – INSTALLING THE SOAP DISPENSER

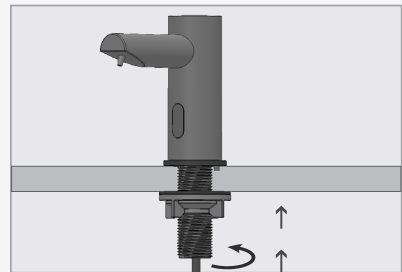
1

Insert the soap dispenser body and the anti rotation pin along with the rosette into the holes drilled.



2

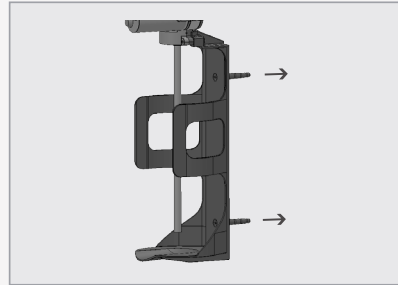
Under the deck, secure the gasket, disk and nut over the soap dispenser body nipple.



# INSTALLATION

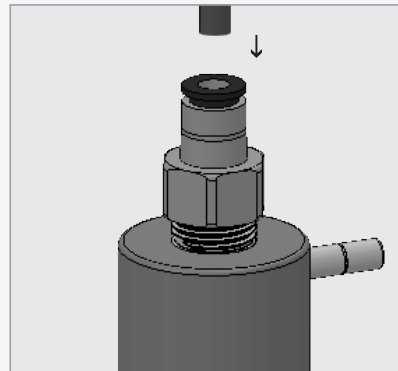
3

Fix the bottle support to the desired location.



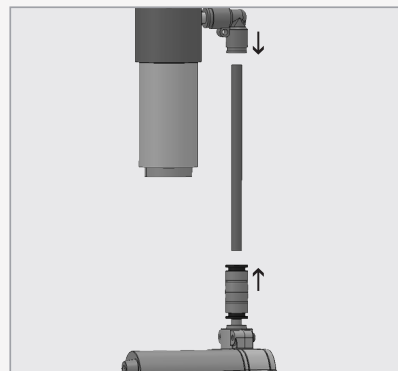
4

Connect the tube that is coming out of the soap dispenser body to the quick connection fitting at the top of the foam compressor, by snapping it in.



5

Connect the second tube provided in the packaging between the quick connection fitting at the top of the soap dispenser pump assembly and the foam compressor, by snapping it in.



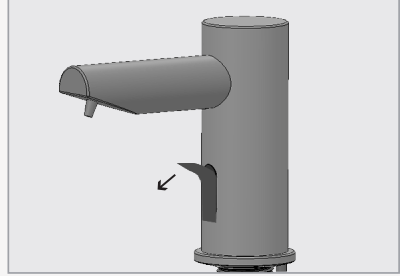
**IMPORTANT:** Make sure to cut the tube to the required length

# INSTALLATION

## STEP 3 – CONNECTING THE POWER SOURCE

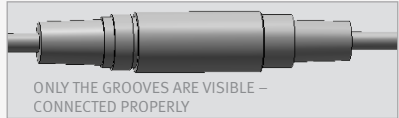
1

Remove the protective sticker covering the sensor. Keep away from the sensor range.



2

Connect the soap dispenser pump connector to its matching connector coming from the electronic unit. Please note that since the connector is water proof, some friction might apply.



**IMPORTANT:** the 4 contacts connector should be connected properly so that the white o-ring is not visible and a clicking sound is heard.

**PAY ATTENTION:** If the 4 contacts connectors is not connected properly, the soap dispenser pump will work continuously.

3

Plug the transformer into the electricity socket and connect the transformer connector



4

Wait about 10 seconds before you place your hands within the sensor range.



**ABOUT  
10  
SECONDS**



# FILLING THE SOAP TANK

1

Unscrew the soap tank from the pump assembly and pull it out of the bottle support.



2

Fill in the liquid soap up to the top line.



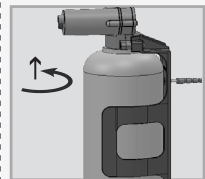
3

Insert the bottle inside the bottle support.



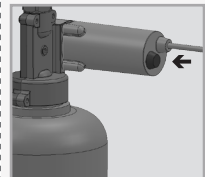
4

Screw the soap tank back to the pump assembly. Make sure the tank is firmly secured into place.



5

Press the refill button located at the back of the pump assembly until soap starts coming out of the soap dispenser spout. This operation can also be done using the soap dispenser remote control Refill function.



6

**NOTE:** Once the soap in the soap tank has reached the bottom line the soap tank should be refilled. To refill the soap tank please refer to steps 1-5.



# SETTINGS ADJUSTMENT WITH A REMOTE CONTROL

If desired, use the remote control to adjust the soap dispenser settings. Hold the remote control straight in front of the sensor in a distance of about 4-6" (10-15cm).

**ATTENTION:** Holding the soap dispenser remote control out of the recommended range (too close or too far) may interfere with it's activation.

## 1-SOAP QUANTITY

Press the + sign at the SOAP button to increase the soap quantity by increasing the dispensing time and the – sign to decrease it.

Indication: continuous blinking of the blue light in the sensor eye.

## 2-AIR QUANTITY

To improve the soap “foamability” change the amount of the air to be mixed. Press the + sign at the AIR button to increase the air quantity and the - to decrease it.

Indication: 2 blinks of the blue light in the sensor eye.

## 3-RES

This function resets the sensor back to factory settings.

## 4-TEMPORARY OFF FUNCTION

This function temporary disable the dispenser and is ideal to perform any kind of activity in front of the sensor without operating the system (for example, cleaning). The soap dispenser will remain shut for one minute when this button is pressed once. To cancel this function and to return to normal operation press the On/Off button again or wait one minute.

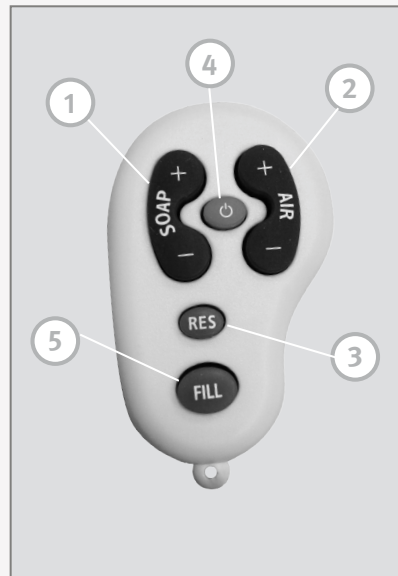
## 5-FILL THE SOAP TANK

Once the soap tank has been filled \ re-filled, press the FILL button. The pump would work for one minute in order to fill the piping with soap.

To stop this activity press the FILL button again.

If the soap has not started coming out of the spout, press the FILL button again.

Indication: continuous blinking of the blue light in the sensor eye.



## SPARE PARTS LIST

SEALS AND SCREWS KIT ELITE	07210161
SEALS AND SCREWS KIT TRENDY	07210162
SEALS AND SCREWS KIT GREEN 28	07210164
SENSOR KIT 10-PACK ELITE/TRENDY	07220331
SENSOR KIT 10-PACK GREEN 28	07220338
SOAP DISPENSER PUMP ASSEMBLY	07222013
SOAP BOTTLE 1L	07100020
FD COMPONENTS KIT	07222019
BOTTLE SUPPORT 1L	07120177
12V SWITCHING TRANSFORMER	06522081
SD REMOTE CONTROL	07100009

# MAINTENANCE

## Care and cleaning of chrome and special finishes

DO NOT use steel wool or cleansing agents containing alcohol, acid, abrasives, or the like. Use of any prohibited cleaning or maintenance products or substances could damage the surface of the soap dispenser. For surface cleaning use ONLY soap and water, then wipe dry with a clean cloth or towel. When cleaning bathroom tiles, the soap dispenser should be protected from any splattering of harsh cleansers.

## Disassemble of the soap pipe from the pump

The soap pipe can be disconnected from the soap pump by a simple slide & pull action. The sliding ring of the quick connection fixation nipple on the pump should be pressed down. It releases the open end of the soap pipe which can then be easily pulled out.

## Filter cleaning instructions

This soap dispenser is provided with a filter. It is recommended to clean the filter every six (6) months.

If the soap supply has decreased, this can be because the filter is clogged. The filter can be cleaned as following:

1. Unscrew the nut at the top of the foam compressor and pull out the filter.
2. Wash the filter under running water.
3. Reassemble the parts.

## WARRANTY

Y. Stern Engineering Ltd. warrants that its electronic products will be free of defects in material and workmanship during normal use for two years from the date the product is purchased.

If a defect is found in normal use, Y. Stern Engineering Ltd. will, at its discretion, repair, provide a replacement part or product, or make appropriate adjustments. Damage caused by accident, misuse, or abuse is not covered by this warranty. Improper care and cleaning will void the warranty. Proof of purchase (original sales receipt) must be provided to Stern Engineering Ltd. with all warranty claims.

Stern Engineering Ltd is not responsible for labor charges, installation, or other incidental or consequential costs other than those noted above. In no event shall the liability of Stern Engineering Ltd. exceed the purchase price of the product.

If you believe that you have a warranty claim, contact your Stern Distributor, Dealer or Plumbing Contractor. Please be sure to provide all pertinent information regarding your claim, including a complete description of the problem, the product, model number, the date the product was purchased, from whom the product was purchased and the installation date. Also include your original invoice.

Y. STERN ENGINEERING AND/OR SELLER DISCLAIM ANY LIABILITY FOR SPECIAL, INCIDENTAL OR CONSEQUENTIAL DAMAGES. This warranty excludes product damage due to installation error, incorrect maintenance, wear and tear, battery, product abuse, or product misuse, whether performed by a contractor, service company, or the consumer. This warranty does not cover product damage caused by the following:

- Incorrect installation.
- Improper manipulation, tampering, bad or lapsed maintenance.

# TROUBLESHOOTING

PROBLEM	INDICATOR	CAUSE	SOLUTION
Foam does not come out of the spout	Blue light in the sensor flashes (once) and the motor is operating.	Soap has run low or completely out.	Refill the soap tank. <i>Refer to page 7</i>
		The soap tank has been filled but soap has not reached the spout.	Press the refill button located on the soap dispenser pump until soap starts to come out of the spout.
	The connectors between the soap dispenser pump and the electronic unit are not connected properly.	Connect the connectors properly so that the white o-ring is not visible.	
	Blue light in the sensor does not flash (once) when the user's hands are within the sensor's range.	Sensor is picking up reflections from the washbasin or another object.	Eliminate cause of reflection.
Connectors between the electronic unit and power source are disconnected or not properly connected.		Connect the electronic unit connectors to the power source connector.	
Foam is too diluted		Air ratio too low	Increase air ratio using the remote control. <i>Refer to page 8.</i>

# TROUBLESHOOTING

PROBLEM	INDICATOR	CAUSE	SOLUTION
Foam is too dense		Air ratio too high	Decrease air ratio using the remote control. <i>Refer to page 8.</i>
Soap dispenser pump does not work	Blue light flashes (once) and the foam compressor operates.	The connectors between the soap dispenser pump and the foam compressor are not connected properly.	Connect the connectors properly so that the white o-ring is not visible.
Soap compressor does not work	Blue light flashes (once) and the motor operates.	The connectors between the compressor and the electronic unit are not connected properly.	Connect the connectors properly so that the white o-ring is not visible.
Soap coming out of the spout does not stop		The connectors between the motor and the compressor are not connected properly.	Connect the connectors properly so that the white o-ring is not visible.
		The connectors between the compressor and the electronic unit are not connected properly.	Connect the connectors properly so that the white o-ring is not visible.

# STERN

STERN ENGINEERING LTD.

15 Gan Rave Blvd., 81222 Gan Rave, Yavne, Israel  
Tel: 972-8-9326000, Fax: 972-8-9326025, [export@sternfaucets.com](mailto:export@sternfaucets.com)  
[www.sternfaucets.com](http://www.sternfaucets.com)

