

NARA 3002

1.28 GPF SENSOR OPERATED CONEALED FLUSH VALVE FOR WC

SPECIFICATIONS

Touch free electronic flush valve for water closet. Solid brass valve body with PVD plated 10" x 7" metal panel. Automatic infrared sensor activated by self-adjusting detection range, includes a 6 second delay-in time to avoid unwanted flushing. Features a manual or piezo override push button anti-block feature. Concealed flush valve with 1" angle stop and 1.5" vacuum breaker set. Includes an adjustable tail piece connection and self-cleaning piston mechanism complete with debris screen and solenoid valve. Powered by 9V battery or 9V transformer. Flushing duration and other settings adjustable by remote control. ADA Compliant. Standard: ASSE 1037-1990 and CSA B125.3-2012.

PRODUCT AT A GLANCE

Installation	Concealed flush valve with 1" angle stop and 1.5" vacuum breaker set
Recommended Pressure	0.1-8.0 bar / 14.50-116 PSI
Power Supply	9V Battery or 9V transformer
Panel	PVD plated 10" x 7" metal panel
Connection	Spud coupling and flange for top or rear spud connection
Automatic Hygiene Flush	Optional feature after 24 hours of inactivity
Piston valve	Self cleaning with 360° filter screen
Override Feature	Manual button or Piezo touch with anti-block feature
Flush cycle	1.28 GPF

ORDERING INFORMATION

MODEL	CODE	POWER	ADDITIONAL FEATURES
NARA 3002	160810	9V Battery	Manual override push button anti-block feature.
NARA 3002 E	160820	9V transformer	
NARA 3002 P	160830	9V Battery	Piezo override push button anti-block feature.
NARA 3002 PE	160840	9V transformer	

OPTIONS

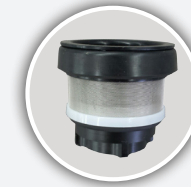
OPTION	CODE
Remote control	0710005



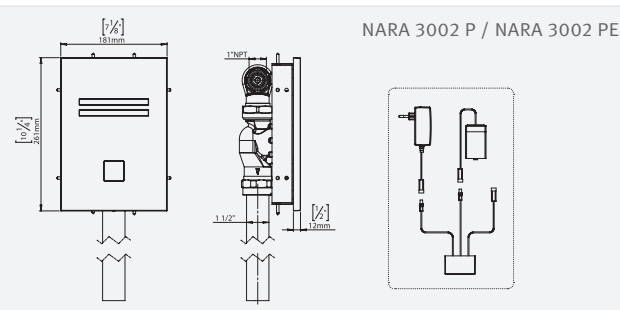
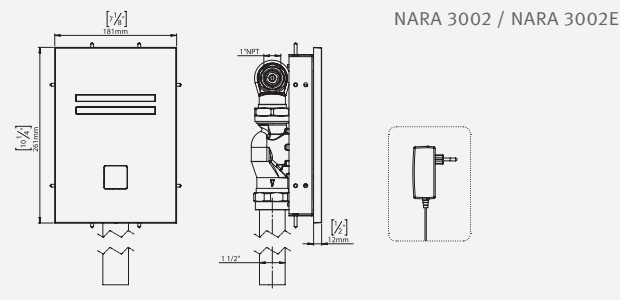
NARA 3002



NARA 3002 P



PISTON VALVE



LEED RATING



ADA DESIGNED



HYGIENE FLUSH



MAXIMIZES HYGIENE



GERM FREE



ROBUST BRASS BODY



ADJUSTABLE SETTINGS



EASY TO INSTALL



777 Passaic Avenue
 Clifton NJ, 07012
 USA: sternusa@sternfaucets.com
 International: info@sternfaucets.com
 Toll Free: 1-800-4364410
 www.sternfaucets.com