

# GREEN SERIES TOUCH-FREE ELECTRONIC LAVATORY FAUCET

## SPECIFICATIONS

Electronic lavatory faucet activated by infrared sensor. For cold or premixed water. Solid brass one-piece construction.

Available with an internally mounted 9V battery, externally mounted 9V battery or a 9V transformer. Filters included. Sensor range is adjustable by remote control. Other sensor settings (delay in, delay out and security time) can also be adjusted by remote control. Faucet will automatically shut off after being used for more than 90 seconds. Sensor features a low battery level indicator.

## OPERATION

Touch free electronic faucet .The faucet is activated automatically when the user brings his hands within the sensor range, and stops when the user removes his hands.

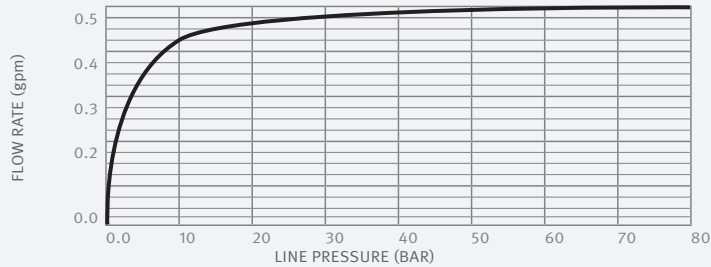
## APPLICATION

Deck mounted faucet combining an elegant design with anti-vandal features. Helps washrooms stay cleaner and save water. Prevents cross contamination.

## PRODUCT AT A GLANCE

Installation	Lavatory mounted
Power Supply	<ul style="list-style-type: none"> <li>External battery box with 9V Alkaline Battery</li> <li>Internal 9V battery.</li> <li>9V Transformer</li> </ul>
Operating pressure	0.5-8.0 BAR / 7.0-116 PSI. For a pressure over 8 bar use a pressure reducing valve.
Water supply	Cold or premixed water
Water flow	6 LPM / 1.58 GPM - SSR PCA stream
Water Saving Options	6 LPM / 1.58 GPM ; 4 LPM / 1 GPM ; 3 LPM / 0.8 GPM 1.89 LPM / 0.5 GPM ; 1.3 LPM 0.35 GPM
Water temperature	70°C Maximum
Security Time	90 seconds. Adjustable with Stern's remote control.

FLOW RATE vs PRESSURE

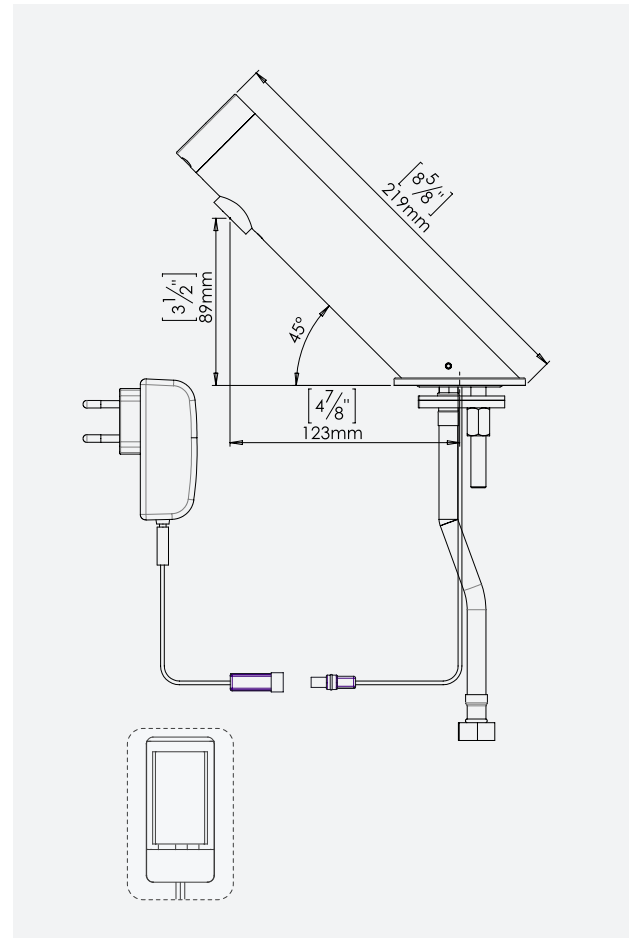


## ORDERING INFORMATION

MODEL	CODE
GREEN AB 1953	225901
GREEN B AB 1953	225951
GREEN E AB 1953	225941
GREEN BRE AB 1953	225921

## ORDERING INFORMATION

PRODUCT NAME	CODE
Matching Green Soap Dispenser - battery operated	225845
Matching Green Soap Dispenser - transformer operated	225840
Remote Control	07100005



## ADVANTAGES



LEED RATING



OPTIONAL HYGIENE FLUSH



ROBUST BRASS BODY



ADJUSTABLE SETTINGS



EASY TO INSTALL

## APPROVALS



ADA DESIGNED



LEEDFREE



COMPLIES TO ASME A112.18.1/ CSA B125.1



777 Passaic Avenue  
Clifton NJ, 07012  
USA: sternusa@sternfaucets.com  
International: info@sternfaucets.com  
www.sternfaucets.com