

# CLASSIC 1000 TOUCH-FREE ELECTRONIC LAVATORY FAUCET

## SPECIFICATIONS

Touch-free electronic lavatory faucet, activated by an infrared sensor. With mixer for water temperature adjustment for hot and cold water. Available with an external 9V battery or a 9V transformer. Filters included. One piece solid brass body for added vandal resistance. Sensor range is adjustable manually and by remote control. Other sensor settings (delay in, delay out, security time) can also be adjusted by remote control. The faucet will automatically shut off after 90 seconds of use. Includes a low battery level indicator.

## OPERATION

Touch-free electronic faucet operated by an infrared sensor. The faucet automatically activates when users place their hands within sensor range and stops when they remove them from the sensor range.

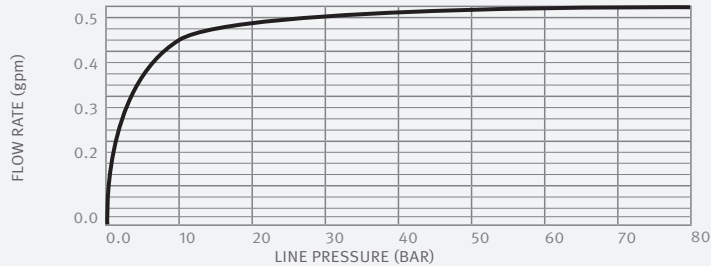
## APPLICATION

Deck-mounted faucet combining an elegant design with anti-vandal features. Helps washrooms cleanliness, saves water and prevents cross contamination. The Classic line is long lasting even in the harshest installation sites. Ideal for transportation hubs, train and bus stations, highway rest stops and stadiums.

## PRODUCT AT A GLANCE

Installation	Deck-mounted
Power Supply	• 9V battery • 9V internal battery • 9V transformer
Operating pressure	0.5-8.0 bar / 7.0-116.0 PSI For greater water pressure please use a pressure reducing valve
Water supply	Hot and cold water
Water flow	6 LPM / 1.58 GPM - SSR PCA stream
Water Saving Options	4 LPM / 1 GPM ; 3 LPM / 0.8 GPM 1.89 LPM / 0.5 GPM ; 1.3 LPM 0.35 GPM - PCA spray
Water temperature	70°C Maximum
Security Time	Auto shutoff after 90 seconds. adjustable by remote control

FLOW RATE vs PRESSURE

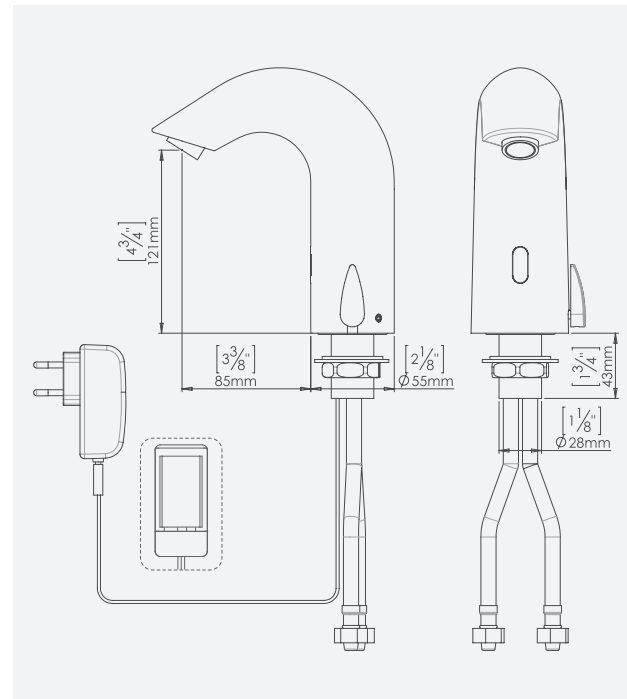


## ORDERING INFORMATION

MODEL	CODE	POWER	ADDITIONAL FEATURES
CLASSIC 1000	292020	9V internal battery	AB 1953 Lead Free
CLASSIC 1000 B	292120	9V battery	
CLASSIC 1000 E	292230	9V transformer	

## OPTIONS

OPTION	CODE
Remote control	07100005
Matching battery-powered soap dispenser	292400
Matching transformer-powered soap dispenser combination	292410



## ADVANTAGES



OPTIONAL-HYGIENE FLUSH



SOAP AND WATER



GERM FREE



EASY TO INSTALL



ADJUSTABLE SETTINGS

## APPROVALS



LEAD FREE



ADA DESIGNED



777 Passaic Avenue  
Clifton NJ, 07012  
USA: sternusa@sternfaucets.com  
International: info@sternfaucets.com  
Toll Free: 1-800-4364410

www.sternfaucets.com